

# Cabinets Rack 19"

Phasak offers a **wide range** of floor and wall cabinets in a **19" Rack format** with a plethora of accessories and complements that will meet the needs and customization of the most demanding users.

With meticulous design, an elegant front glass door, and high-quality locks. Easy installation and maximized interior space.

The front door, made from high-quality tempered glass, includes a double perforated metal frame to facilitate front thermal exchange while preventing dust ingress and undesired access.



- **Compact, durable formats designed to maximize interior space.**
- **Many accessories available: Trays, transfer panels, cable organizers, PDUs, and power strips among others.**
- **All PHASAK Pro 19" cabinets include two 19" trays, a 19" power strip, a set of wheels, and ventilation.**

desing  
**19"**

**MÍNIMUM  
Maintenance**



# PHASAK Pro 19"



**Front door  
in 4 mm  
tempered glass**

**4 mounting  
profiles of 19"**

**Ventilation  
included**

**Front door  
perforated for  
increased  
ventilation**

**Micro-perforated  
rear door**

**600x600**

Reference	U	Interior height	Exterior height	Weight
PHO 6618	18 U	803 mm	983 mm	35 Kg
PHO 6622	22 U	981 mm	1161 mm	40 Kg
PHO 6627	27 U	1203 mm	1383mm	48 Kg
PHO 6632	32 U	1425 mm	1606 mm	71 Kg
PHO 6637	37 U	1648 mm	1828 mm	78 Kg
PHO 6642	42 U	1870 mm	2051 mm	86 Kg
<i>Larg. 600 x Prof. 600</i>				

**600x1000**

Reference	U	Interior height	Exterior height	Weight
PHO 6122	22 U	981 mm	1161 mm	40 Kg
PHO 6127	27 U	1203 mm	1383mm	48 Kg
PHO 6132	32 U	1425 mm	1606 mm	72 Kg
PHO 6137	37 U	1648 mm	1828 mm	79 Kg
PHO 6142	42 U	1870 mm	2051 mm	87 Kg
PHO 6147	47U	2093 mm	2273 mm	113 Kg
<i>Larg. 600 x Prof. 1000</i>				

**600x800**

Reference	U	Interior height	Exterior height	Weight
PHO 6822	22 U	981 mm	1161 mm	50 Kg
PHO 6822	27 U	1204 mm	1425 mm	61 Kg
PHO 6832	32 U	1426 mm	1606 mm	72 Kg
PHO 6837	37 U	1648 mm	1828 mm	79 Kg
PHO 6842	42 U	1870 mm	2051 mm	88 Kg
<i>Larg. 600 x Prof. 800</i>				

**800x800**

Reference	U	Interior height	Exterior height	Weight
PHO 8837	37 U	1648 mm	1828 mm	80 Kg
PHO 8842	42 U	1870 mm	2051 mm	89 Kg
<i>Larg. 800 x Prof. 800</i>				

**800x1000**

Reference	U	Interior height	Exterior height	Weight
PHO 8137	37 U	1648 mm	1828 mm	80 Kg
PHO 8142	42 U	1870 mm	2051 mm	87 Kg
PHO 8147	47 U	2093 mm	2273 mm	122 Kg
<i>Larg. 800 x Prof. 1000</i>				





The 19" PHASAK Rack Cabinets have been primarily designed for the integration of network systems, data processing centers, broadcasting systems, and communication infrastructures.

## Manufacturing Materials

SPCC cold-rolled steel

Tempered and beveled glass with a thickness of 5 mm

Degreased, pickled, and phosphated

Matte coating



## Thicknesses

Profile mounting: 2 mm

Mounting angles: 1.5 mm

Others: 1.2 mm



## Standards and Regulations

ANSI/EIAR5-310-D

GB/T3047.2.92

Protection Rating IP20

Compatible with ETSI and 19" standards

## Interior Measurements

Between front profiles: 470 mm

Between front and rear profiles: 720 mm

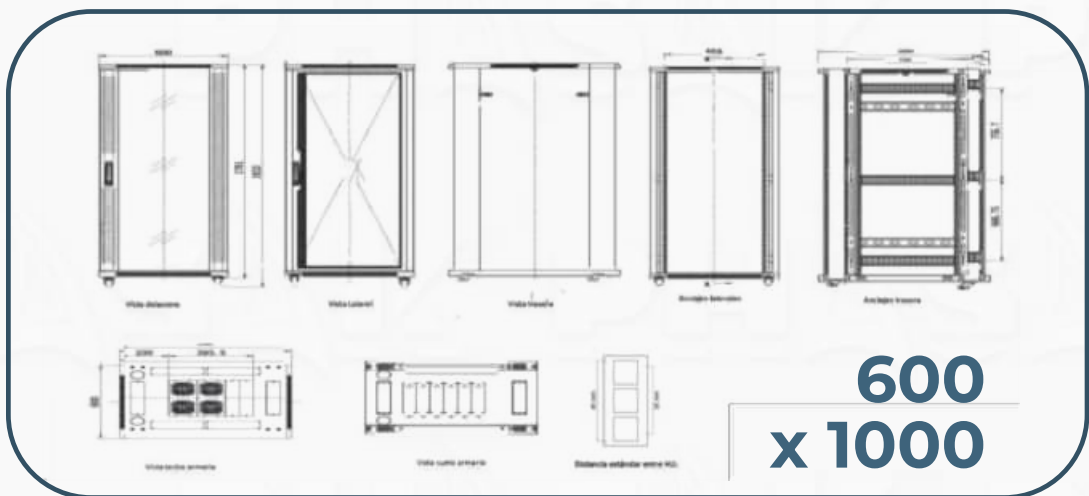
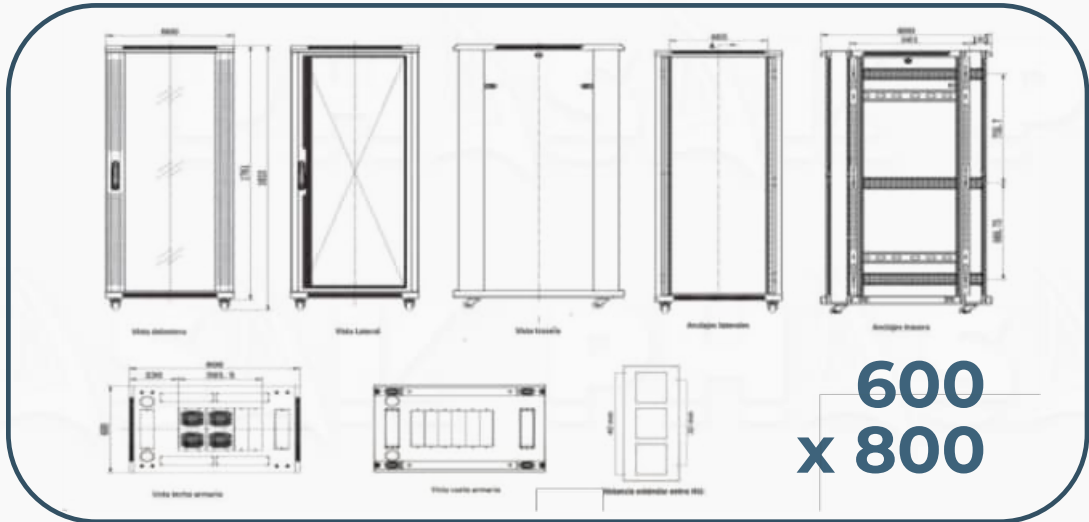
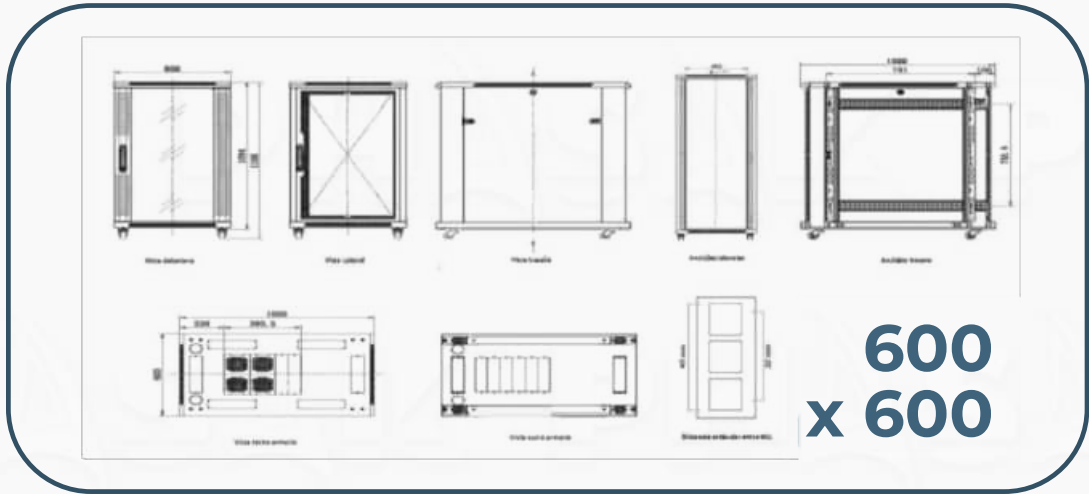
Between rear profiles and rear part: 125 mm

Between front profiles and front door: 70 mm

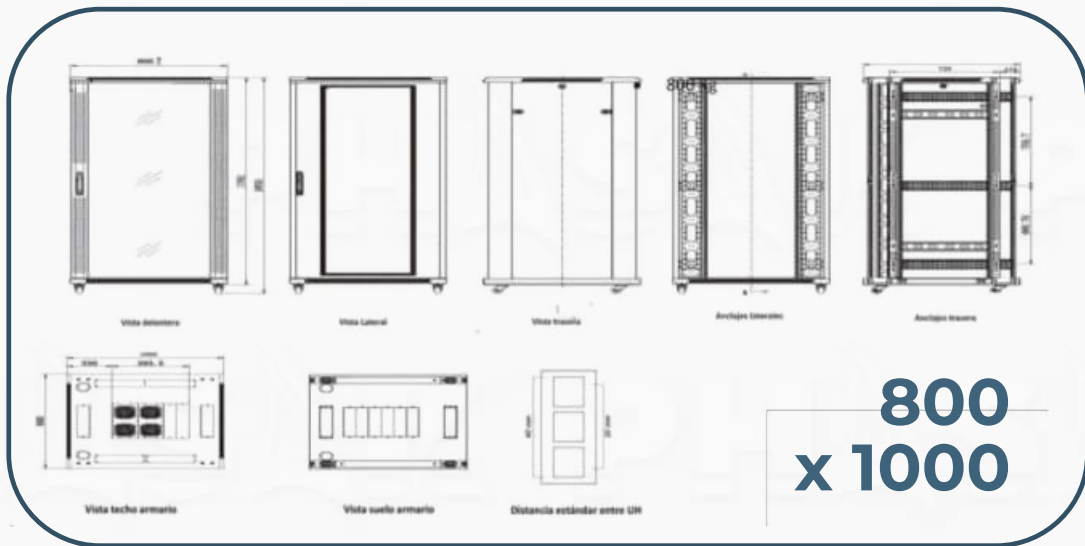
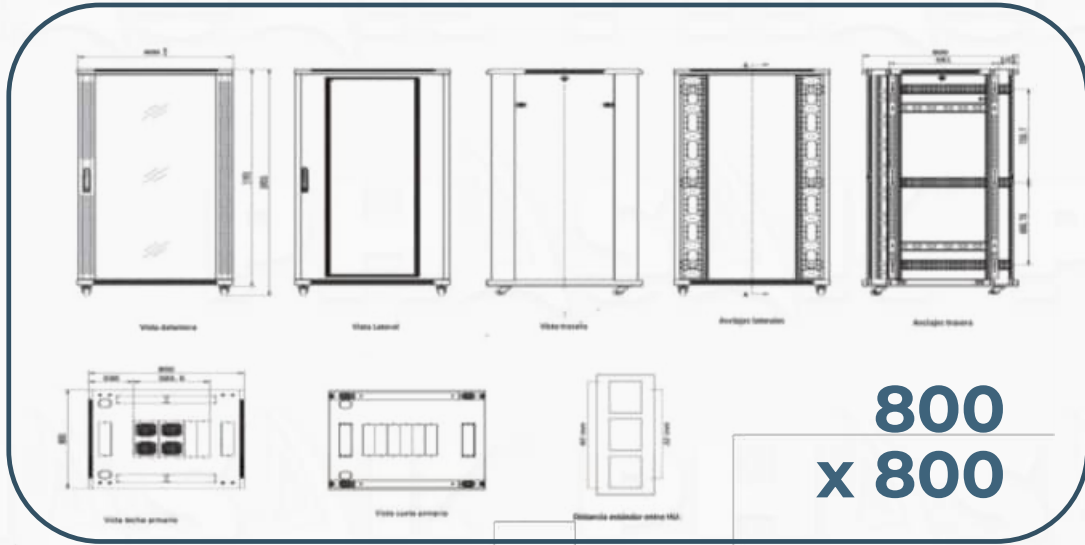
Between side profiles: 145 mm

























## Mounting Profiles



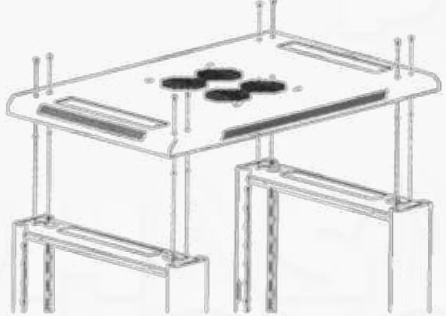
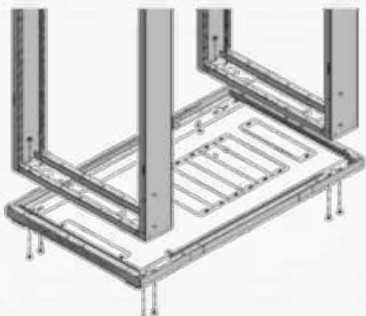
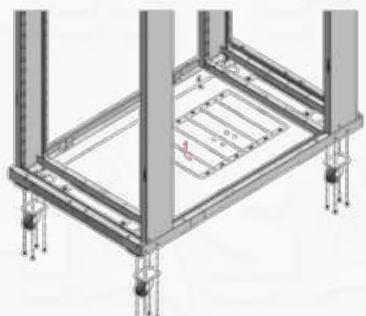







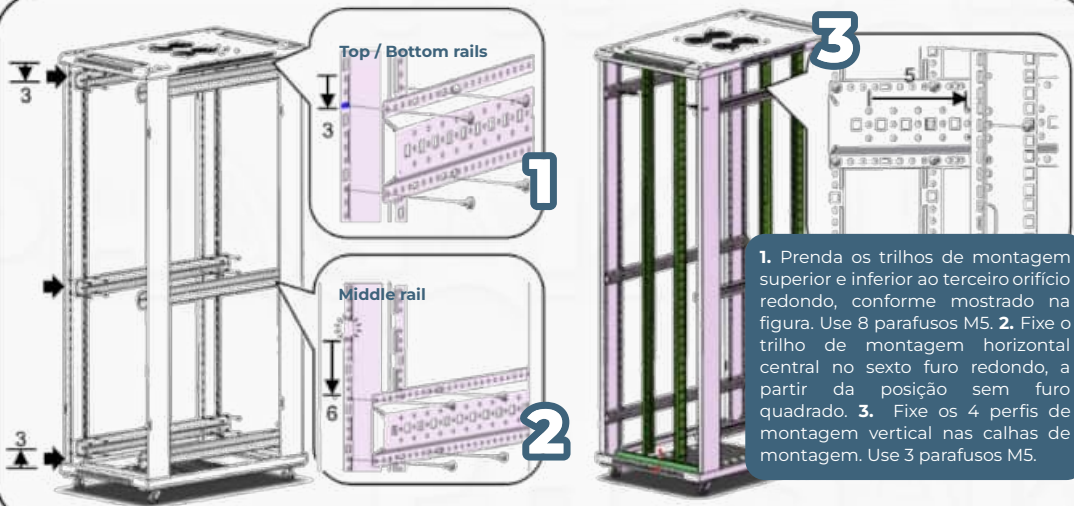
## Lista de piezas / Lista de Peças / Packing List

Fondo / Profundidade / Depth 600 mm							800 mm			
										
M5	M6	Pin de puerta Pino de porta Door Pin	M8	Cerradura seguridad Pega da fechadura Handle lock	Rueda Roda Casters	Pie Pé Feet	Pestillo Trinco Latches	Bracket	Solapa / Batente / Doorstop	Guía / Guia / Rail
										
Techo Tecto Top cover	Suelo Chão Bottom	Panel lateral Painel lateral Side panel	Puerta trasera Porta traseira Rear door	Puerta de cristal Porta de vidro Glass door	Marco Marco Frame	Perfil Vert / Hor Perfil Vert / Hor Profile Vert / Hor		Puerta y pasador / Porta e pino Split door and pin		

**1** Fijación de la cubierta superior e inferior de los marcos y colocación de las ruedas  
 Fixação da tampa superior e inferior dos quadros e colocação das rodas  
 Fix the top cover and bottom on frames with M8 screw and casters

Techo / Tecto / Top cover	Suelo / Chão / Bottom	Ruedas / Rodas / Wheel
		
 <b>M8 x 8 ud</b>	 <b>M8 x 8 ud</b>	 <b>M5 x 16 ud</b>

**2A** Armarios PHASAK fondo 600 mm  
 Profundidade dos armários PHASAK 600 mm  
 PHASAK cabinets depth 600 mm



**1** Top / Bottom rails

**2** Middle rail

**3**

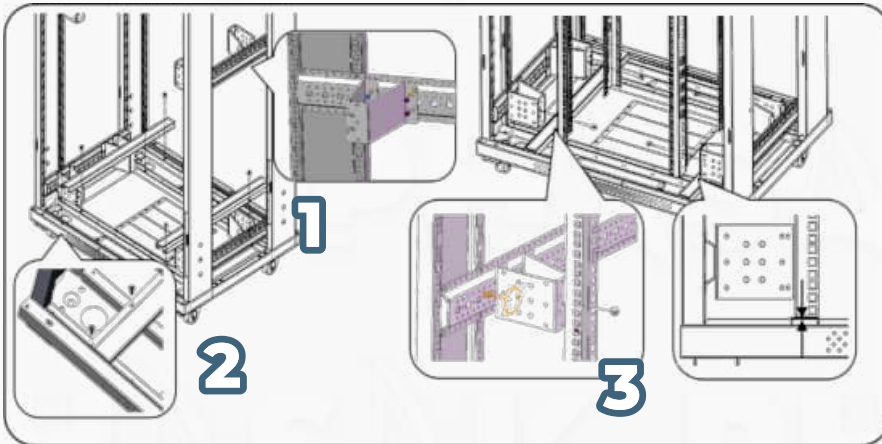
**1.** Fije los rieles de montaje superior e inferior en el tercer agujero redondo, como se muestra en la imagen. Utilice 8 tornillos M5. **2.** Fije el riel de montaje horizontal central en el sexto agujero redondo, desde la posición sin agujero cuadrado. **3.** Fije los 4 perfiles de montaje verticales en los rieles de montaje. Utilice 3 tornillos M5.

**1.** Attach the top and bottom mounting rails to the third round hole as shown in the picture. Use 8 M5 screws. **2.** Fix the center horizontal mounting rail in the sixth round hole, from the position without square hole. **3.** Attach the 4 vertical mounting profiles to the mounting rails. Use 3 M5 screws.

18 U - 27 U: 4x Perfis Montaje (2 rieles/lado) - Sin rail central · 32 U - 47 U: 6x Perfis Montaje (3 rieles/lado - Con rail central  
 18 U - 27 U: 4x Perfis montagem (2 perfis/lado) - Sem perfil central · 32 U - 47 U: 6x Perfil montagem (3 perfis/lado - Com perfil central  
 18 U - 27 U: 4x Mountigs rails (2 rails/side) - Without midel Rail · 32 U - 47 U: 6x Mountigs rails (3 rails/side - With middle rail



## 2B Armarios PHASAK fondo 800 mm Profundidade dos armários PHASAK 800 mm PHASAK cabinets depth 800 mm



1. Fije el soporte en los rieles de montaje. Utilice 4 tornillos M5. **2.** Fije los 2 soportes/bracket para el riel en el marco. Utilice 4 tornillos M5. **3.** Fije el perfil de montaje vertical en el soporte utilizando 3 tornillos M5. Luego, coloque el perfil de montaje en el soporte del riel más próximo.

1. Prenda o suporte nos trilhos de montagem. Use 4 parafusos M5. **2.** Prenda os 2 suportes do trilho na estrutura. Use 4 parafusos M5. **3.** Prenda o perfil de montagem vertical ao suporte, usando 3 parafusos M5. Em seguida, coloque o perfil de montagem no suporte de trilho mais próximo.

1. Fix bracket on the mounting rails, each with 4pcs M5 screws. **2.** Fix 2pcs rail support on the frame, each with 4pcs M5 screws. **3.** Fix vertical mounting profile on the bracket, each with 3pcs M5 screws. And please put the mounting profile on the rail support closely.

18 U - 27 U: 4x Perfiles Montaje (2 rieles/lado) - Sin rail central. **32 U - 47 U:** 6x Perfiles Montaje (3 rieles/lado) - Con rail central  
18 U - 27 U: 4x Perfis montagem (2 perfis/lado) - Sem perfil central. **32 U - 47 U:** 6x Perfil montagem (3 perfis/lado) - Com perfil central  
18 U - 27 U: 4x Mountigs rails (2 rails/side) - Without midel Rail. **32 U - 47 U:** 6x Mountigs rails (3 rails/side) - With middle rail

## 3 Fijación de las puertas y de los paneles laterales Fixação de portas e painéis laterais Fix doors and side panels

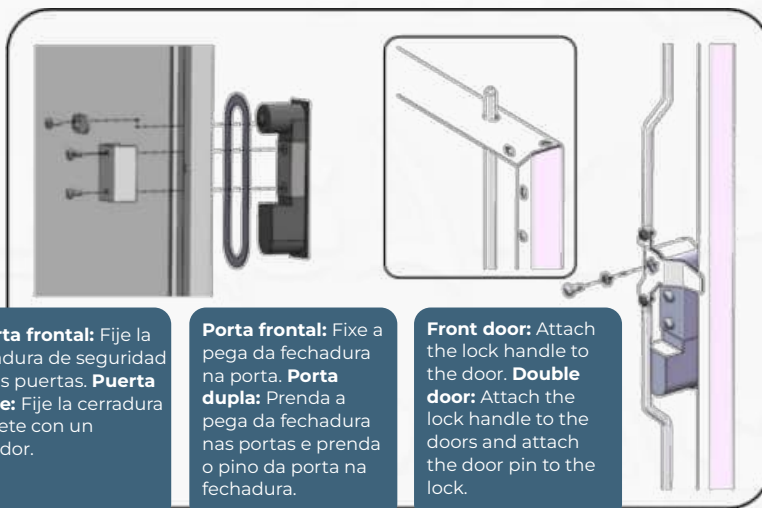


**Puertas:** Fije los pasadores de las puertas delantera y trasera y fije puertas y paneles laterales. **Puerta doble:** Fije el tope de la puerta en la parte superior e inferior. **Puerta lateral:** Fije los pestillos de la manija en el panel lateral.

**Portas:** Prenda os pinos da porta dianteira e traseira, prenda as portas e os painéis laterais. **Porta dupla:** Prenda o batente da porta na parte superior e inferior. **Porta lateral:** Prenda os trincos no painel lateral.

Fix front and back door pins, fix the doors and side panels. **Split doors:** please fix the doorstop on the top and bottom. Fix handle latches on the side panel.

## 4 Fijación de la cerraduras en la puerta Fixação de fechaduras e a porta Fix the lock on the door



**Puerta frontal:** Fije la cerradura de seguridad en las puertas. **Puerta doble:** Fije la cerradura y sujete con un pasador.

**Porta frontal:** Fixe a pega da fechadura na porta. **Porta dupla:** Prenda a pega da fechadura nas portas e prenda o pino da porta na fechadura.

**Front door:** Attach the lock handle to the door. **Double door:** Attach the lock handle to the doors and attach the door pin to the lock.



**Address / Dirección / Endereço**

Carretera del Río 6, Villalarbo (Zamora, España) · 49159

**Telephone Number / Número de teléfono / Número de telefone**

+34 980 53 94 99

**E-mail address / Dirección de email / Direção de e-mail**

info@phasak.com

**Product / Producto / Produto**

19" network server cabinet / Armario para servidor de red de 19" / Armários de servidor de rede de 19"

**Model / Modelo / Modelo**

PHO 2106, PHO 2109, PHO 2112, PHO 2115, PHO 2118, PHO 3109, PHO 3112, PHO 3115, PHO 3118, PHO 2106D, PHO 2109D, PHO 2112D, PHO 6618, PHO 6622, PHO 6627, PHO 6632, PHO 6637, PHO 6642, PHO 6122, PHO 6127, PHO 6132, PHO 6137, PHO 6142, PHO 6147, PHO 6822, PHO 6832, PHO 6837, PHO 68412, PHO 8837, PHO 8842, PHO 8137, PHO 81742, PHO 8147, PHO 2007D, PHO 2009D, PHO 2012D, PHO 2207D, PHO 2209D, PHO 2212D, PHO 2216D, PHO 2220D

PHC 3109, PHC 3112, PHC 3116, PHC 3120, PHC 2207, PHC 2209, PHC 2212, PHC 2216, PHC 2220, PHC 2107, PHC 2109, PHC 2112, PHC 6616, PHC 6620, PHC 6626, PHC 6632, PHC 6636, PHC 6642, PHC 6116, PHC 6120, PHC 6126, PHC 6132, PHC 6136, PHC 6142, PHC 6147, PHC 6816, PHC 6820, PHC 6826, PHC 6832, PHC 6836, PHC 6842, PHC 8836, PHC 8842, PHC 8136, PHC 8142, PHC 8147

**PHASAK**

Certifies that the product complies with the regulations in force:

Certifica que el producto cumple con las normativas vigentes:

Certifica que o produto está em conformidade com os regulamentos em vigor:

EN 55032:2015/A1:2020 · UNE-EN IEC 61000-3-2:2019 · EN 61000-3-3:2013 · EN 55035:2017

**Restriction of Hazardous Substances (RoHS)**

2011/65/EU Economic operators

**Person responsible / Persona responsable / Pessoa responsável**

Madrid, Spain - 05.08.2023

Juan P. Rodriguez

CEO



**PHASAK**  
PHASAK Tecnologías de la Información

